

# OMRON Wireless Weather Sensor

Under Development

Fast and Easy Way to Collect Weather Data!



## Sensors



Wind Direction



Wind Velocity



Rainfall



Temperature



Humidity



Barometric Pressure

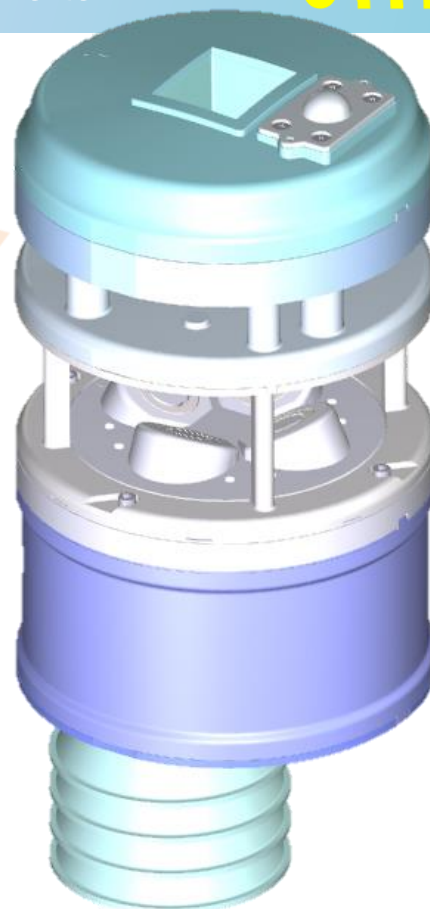


Light

All Included!

## Communication

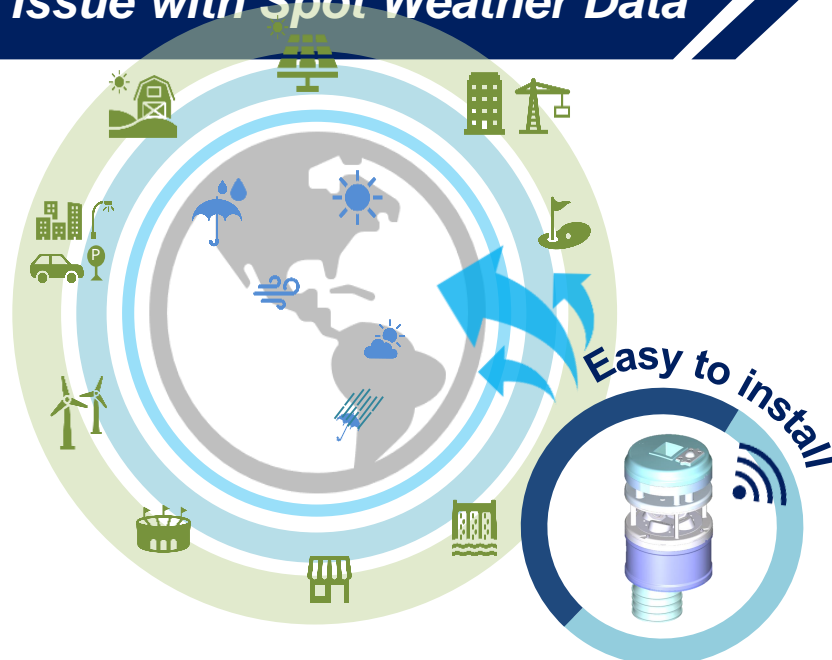
LTE-M or LoRaWAN®



## Our Vision

**Realize a Resilient Society  
by Solving the Climate Change Issue with Spot Weather Data**

- The scale of extreme weather and natural disasters is increasing year by year.
- Spot weather data demand is increasing in many areas, but the number of weather stations are limited due to installation and maintenance issues.
- OMRON will solve these issues with our weather sensor.



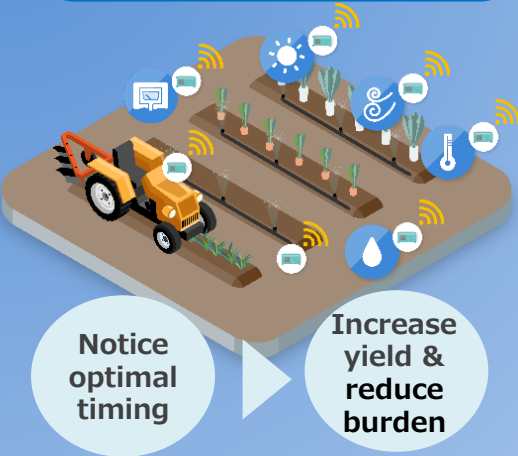
\*: Specifications and structures may be changed without prior notice.

\*: LTE-M logo is designed by GSMA. LoRaWAN® is a trademark of Semtech Corporation.

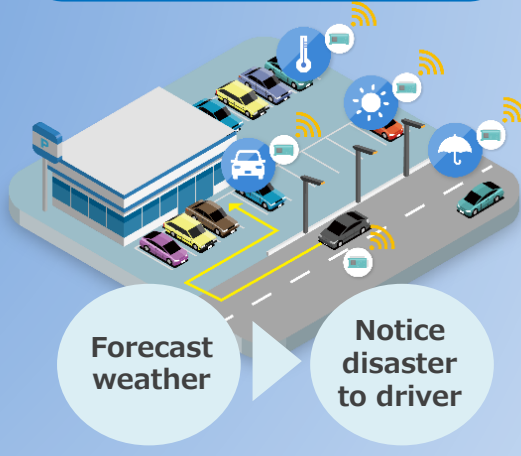
OMRON

# Solution Examples

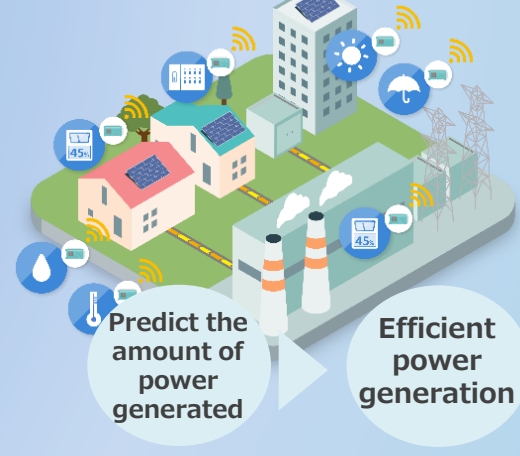
## Agriculture



## Smart City



## Energy Infrastructure



## Product Features

### 1 Easy to Install

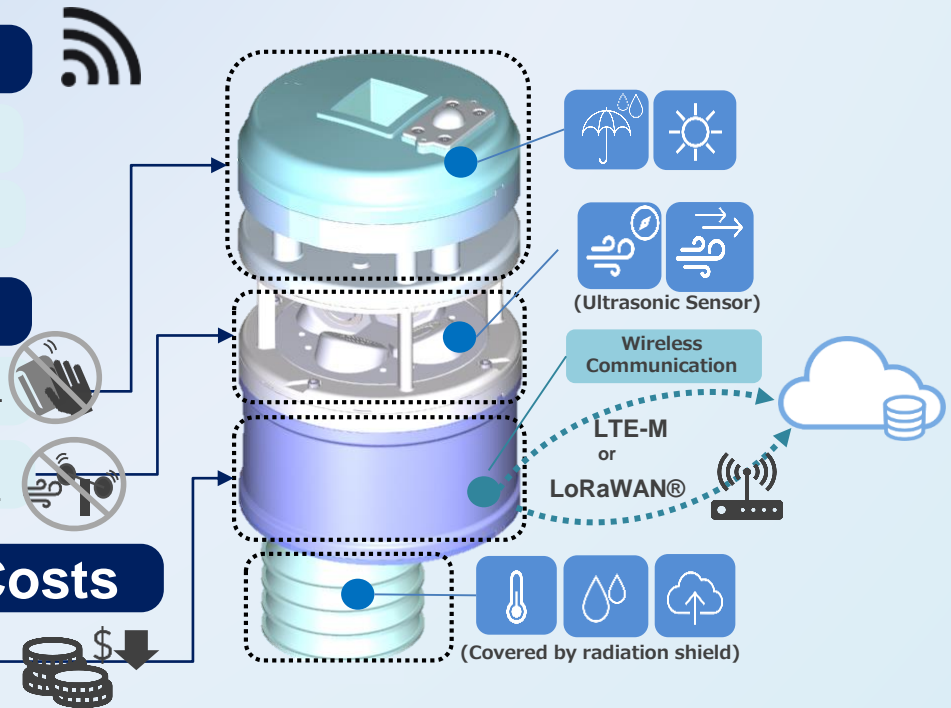
Sensors and communication are included in a compact unit.  
Wireless sensor simplifies installation in outdoor applications.

### 2 Easy to Maintain

Reduce the need for regular cleaning.  
No moving parts reduces the risk of products malfunctioning and breaking.

### 3 Low Operation Costs

LTE-Cat.M1 and LoRaWAN® reduce running costs.



## Specifications

	Specification Idea
Voltage	DC12V
Temperature	-20 ~ 50 °C (±1°C)
Humidity	0 ~ 100% RH (±5%)
Light	0 ~ 150,000 lux (±25%)
Wind Velocity	0 ~ 25m/s (~5m/s ±1m/s, 5m/s~ ±30%)
Wind Direction	0.1 ~ 360 deg (±15 deg)
Absolute Pressure	600 ~ 1100 hPa (±1hPa)
Rainfall	0~20mm/h (±2mm/h)
Communication	LTE Cat.M1 / LoRaWAN

\*Battery or AC adaptor must be prepared by customer.

## Contact us !

**Cary Horan**  
Business Development Manager II

**Omron Electronic Components LLC**  
2895 Greenspoint Parkway Suite 100 Hoffman  
Estates, IL 60169  
Cell: 224-297-0554  
[cary.horan@omron.com](mailto:cary.horan@omron.com)

- \* Laws and regulations for weather data and sensing should be consulted before installing product
- \* Product is in development stage, so the specifications and images may be changed without prior notice.
- \* Omron products are designed and manufactured as general-purpose products for various industries. Please reach out to us if you have specific application questions!
- \* LoRaWAN® is a trademark of Semtech Corporation.