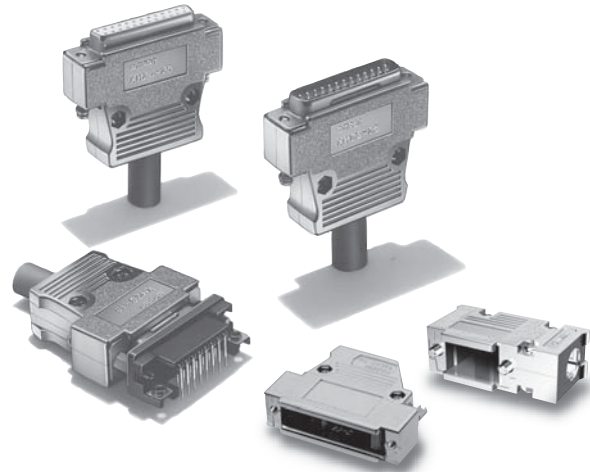


D-Sub Connector Assembly Hoods That Are Ideal for Office Equipment Interfaces

- Metallized plastic Hood provides excellent noise protection.
- Connectors are available with cables connected horizontally (9-pin and 25-pin models only) to enable using the space behind the Connectors more effectively.
- See the "Standards certification / conformity list" for information on conformity to certification standards.

RoHS Compliant



■ Terminology

● Metallization

Metallization means make plating processing on the plastic hood.

● ESD

Abbreviation of ElectroStatic Discharge

■ Hoods

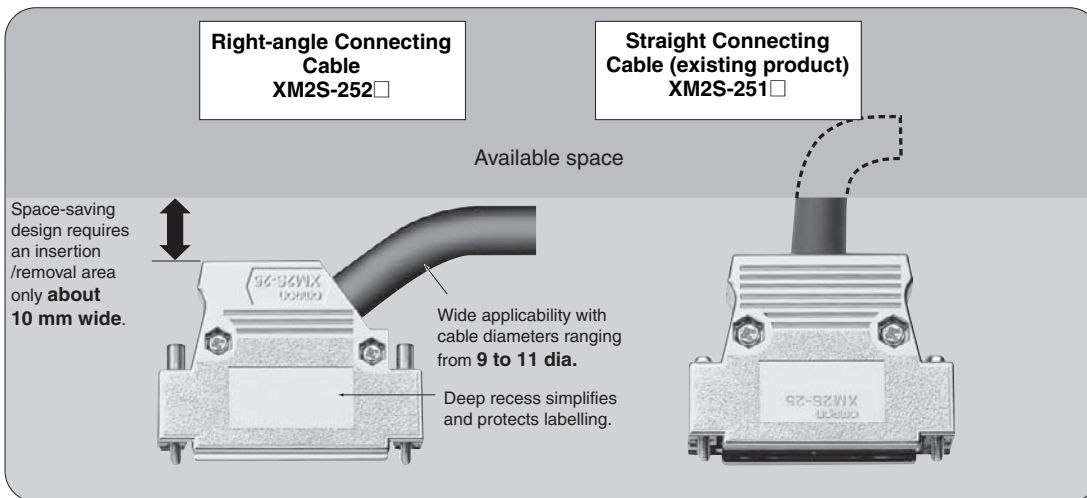
Model	XM2S-□□1□	XM2S-□□2□
Appearance	<p>Hoods</p>	
Reference page	3	4

■ Characteristics

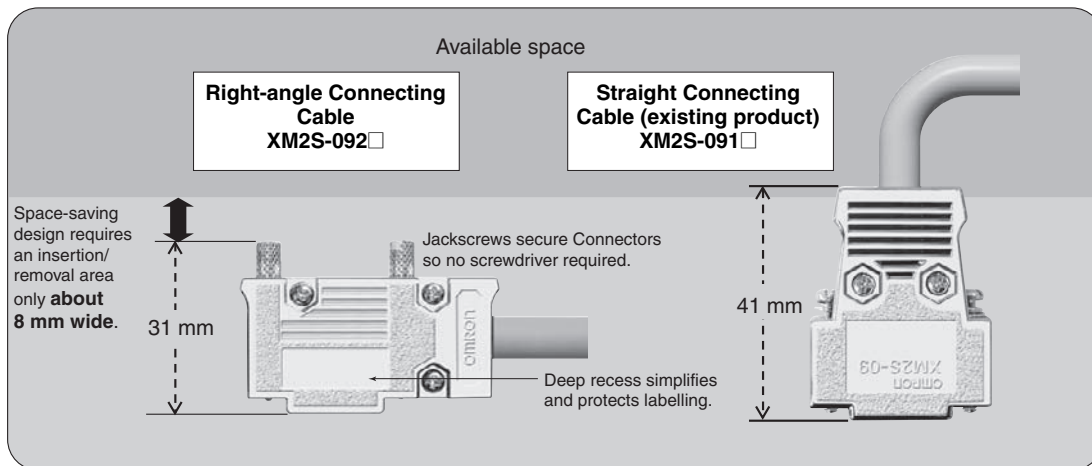
Ambient operating temperature	-25 to 85°C (with no condensation or icing)
-------------------------------	---

■ Features

25-contact Hoods



9-contact Hoods



■ Materials and Finish

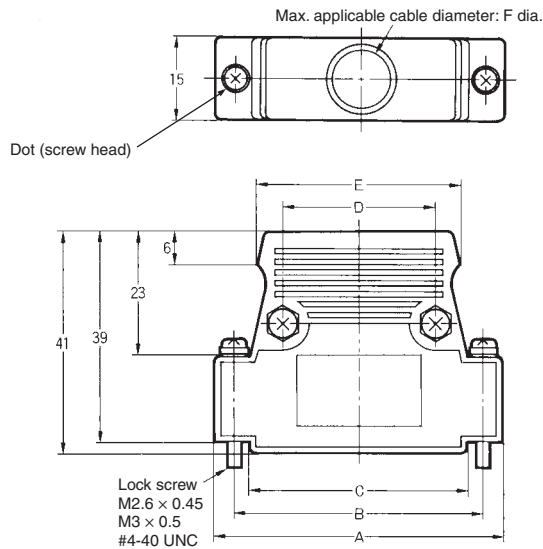
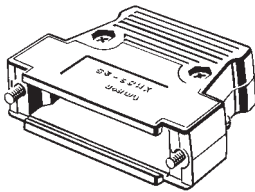
Housing	ABS nickel plated
Cable clamp	Steel/nickel plated
Lock screw	Brass/nickel plated

XM2S Hood Covers

■ Dimensions (The cable bushing, cable clamp, shielded tape and assorted screws are supplied.)

(unit: mm)

- XM2S-□□11
(M2.6 × 0.45 metric screws)
- XM2S-□□12
(M3 × 0.5 metric screws)
- XM2S-□□13
(#4-40 UNC inch screws)



Dimensions

Dot shape (Screw head)		
No dot	1 dot	2 dots
⊕	⊕	⊕

No. of contacts	A	B	C	D	E	F
9	32.2	24.99	18.2	13	24	9
15	40.5	33.32	26.5	19	30	10
25	54.0	47.04	40	29	38	11
37	70.5	63.50	57	42	50	13

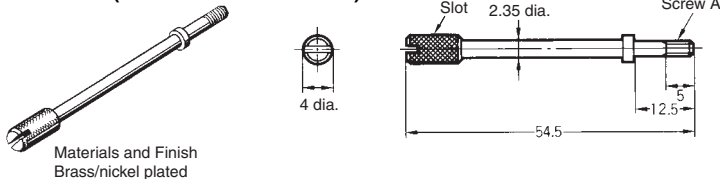
■ Ordering Information

Applicable Anchors	Lock screw	M2.6 × 0.45 metric screws (No dot)	M3 × 0.5 metric screws (1 dot)	#4-40 UNC inch screws (2 dots)
	No. of contacts	Anchor 1	Anchor 2	Anchor 3
9		XM2Z-0001	XM2Z-0002	XM2Z-0003
15		XM2S-0911	XM2S-0912	XM2S-0913
25		XM2Z-0011	XM2Z-0012	XM2Z-0013
37		XM2S-1511	XM2S-1512	XM2S-1513
		XM2S-2511	XM2S-2512	XM2S-2513
		XM2S-3711	XM2S-3712	XM2S-3713

Note: Lock screws are attached to the Hood. Select D-sub Connectors with Anchors or Grounding Fixtures that fit the lock screw of the Hood.

■ Accessories (Sold Separately)

- Anchor 5 (For Jackscrews and XM2S-□□1-□)
- XM2Z-0071 (M2.6 × 0.45 metric screws)
- XM2Z-0072 (M3 × 0.5 metric screws)
- XM2Z-0073 (#4-40 UNC inch screws)



Dimensions

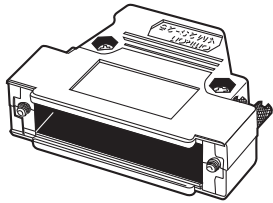
Model	A	slot	slot shape
XM2Z-0071	M2.6 × 0.45	None	
XM2Z-0072	M3 × 0.5	1	
XM2Z-0073	#4-40 UNC	2	

- Note:** 1. Replace the lock screw that comes with the XM2S with Anchor 5.
- 2. Anchor 5 cannot be used with XM2S models that have cables connected horizontally.

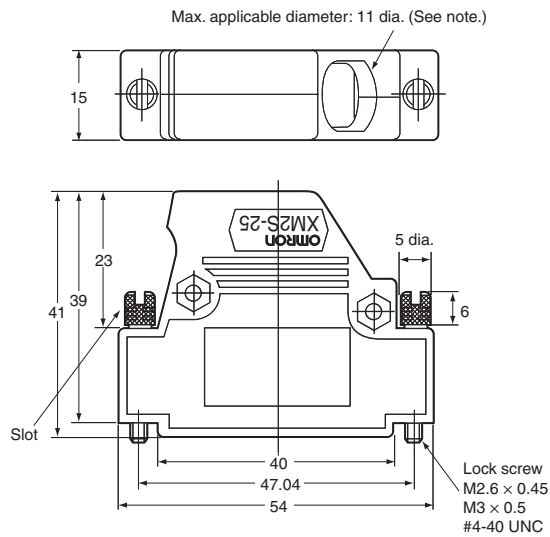
■ Dimensions

(unit: mm)

25-contact D-sub Connector Assembly Hood with Right-angle Connecting Cable
XM2S-2521 (M2.6 × 0.45 metric screws)
XM2S-2522 (M3 × 0.5 metric screws)
XM2S-2523 (#4-40 UNC inch screws)

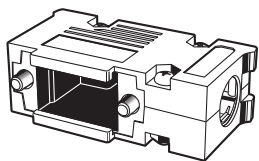


Note: The cable bushing, cable clamp, shielded tape and assorted screws are supplied.

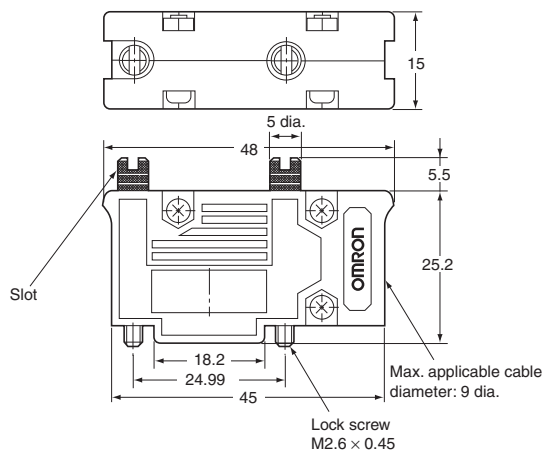


Note: The maximum applicable cable diameter is 9 dia if the cable clamp supplied is mounted facing the rear. Do not use a cable bushing in this case.

9-contact D-sub Connector Assembly Hood with Right-angle Connecting Cable
XM2S-0921 (M2.6 × 0.45 metric screws)
XM2S-0922 (M3 × 0.5 metric screws)
XM2S-0923 (#4-40 UNC inch screws)



Note: The cable bushing, cable clamp, shielded tape and assorted screws are supplied.



■ Ordering Information

Type	Appearance	No. of contacts	Model	Lock screws (See note.)
D-sub Connector Assembly Hood with Right-angle Connecting Cable (nickel plated)		25	XM2S-2521	M2.6 × 0.45 metric screws (No slot)
			XM2S-2522	M3 × 0.5 metric screws (1 slot)
			XM2S-2523	#4-40 UNC inch screws (2 slots)
		9	XM2S-0921	M2.6 × 0.45 metric screws (No slot)
			XM2S-0922	M3 × 0.5 metric screws (1 slot)
			XM2S-0923	#4-40 UNC inch screws (2 slots)

Note: Lock screws are attached to the Hood. Select D-sub Connectors with Anchors or Grounding Fixtures that fit the lock screw of the Hood.

Please check each region's Terms & Conditions by region website.

OMRON Corporation

Electronic and Mechanical Components Company

Regional Contact

Americas

<https://www.components.omron.com/>

Asia-Pacific

<https://ecb.omron.com.sg/>

Korea

<https://www.omron-ecb.co.kr/>

Europe

<http://components.omron.eu/>

China

<https://www.ecb.omron.com.cn/>

Japan

<https://www.omron.co.jp/ecb/>